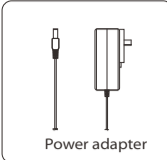


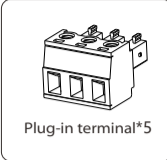
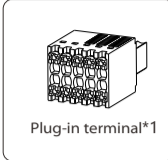
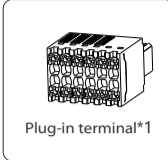


# Installation Instruction

—DataHub1000

## I Preparation

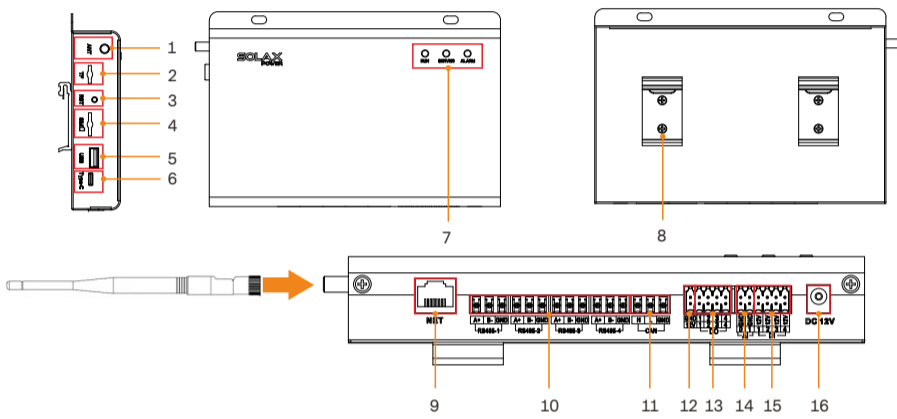
### Packing List

			Screws	
Power adapter	Installation instruction	WiFi antenna	6*30 Nylon	*2
			ST4.8*L30 sus304 PAN	*2
			M3*L6 sus304 CHEN	*4
			M3*L8 sus304 PAN S+P	*8
			M2*L4 1022A PAN	*2
			Rail buckle*2	
Plug-in terminal*5	Plug-in terminal*1	Plug-in terminal*1	Rail buckle*2	

### Line Specification

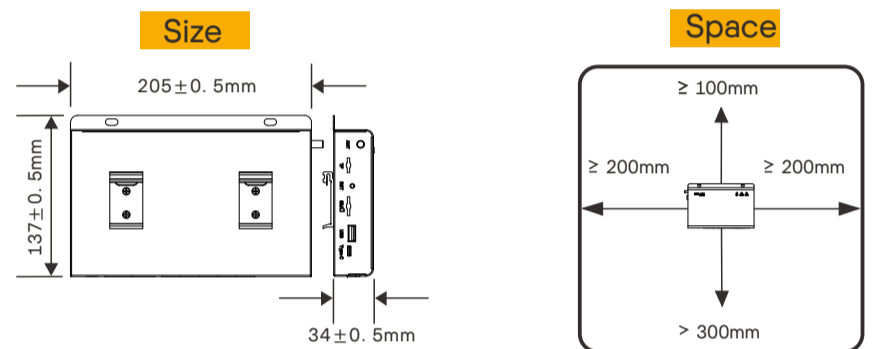
RS485	Cross-sectional area 0.2mm <sup>2</sup> ~2.5mm <sup>2</sup> (24AWG ~ 14AWG) dual-core or multi-core cables
DO/DI/AI	Cross-sectional area 0.2mm <sup>2</sup> ~1.5mm <sup>2</sup> or (24AWG ~ 16AWG) dual-core or multi-core cables
NET Cable	Cat 5e or higher standard network cable

## II Product Introduction



- |                                      |                                 |
|--------------------------------------|---------------------------------|
| (1) Antenna jack                     | (2) TF card socket (TF)         |
| (3) RST button (RST)                 | (4) SIM card socket (SIM)       |
| (5) USB socket (USB)                 | (6) TYPE-C socket               |
| (7) LED indicator (RUN,SERVER,ALARM) | (8) Rail clip                   |
| (9) NET socket (NET)                 | (10) RS485 socket (RS485)       |
| (11) CAN socket (CAN)                | (12) 12V power output (12V/GND) |
| (13) DO socket (DO)                  | (14) AI socket (AI)             |
| (15) DI socket (DI)                  | (16) 12V power input (DC12V)    |

## III Installation Requirements

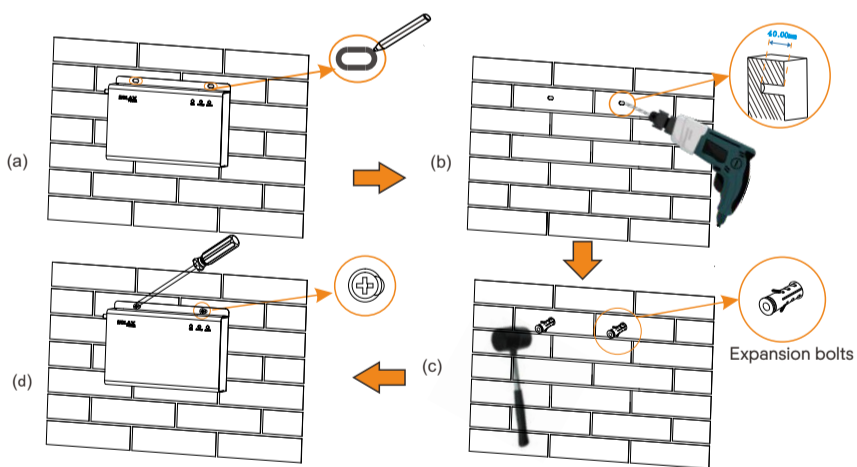


### Device parameters

Power Adapter	100-240V 50/60HZ 1.5A AC input 12V 2A DC output
Ethernet	10/100M
Wi-Fi Frequency Range	2.4~2.5GHz
Wi-Fi EIRP Power	17.5dBm
Dimensions	205*124*33 mm
Weight	440g
Operating Temperature Range	-20°C~+60°C
Degree of Protection	IP20

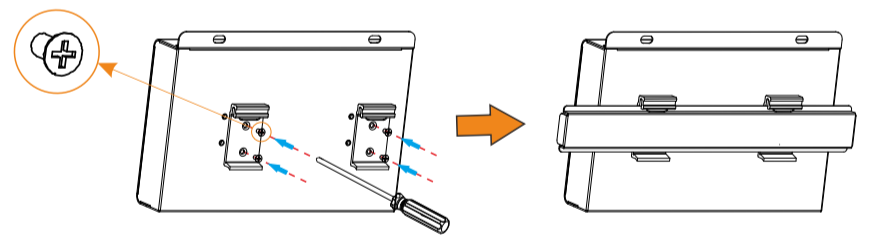
## V Indoor Wall Mounting (Method 1)

1. Choose a flat and solid indoor wall to drill for installation.
  2. Hang the DataHub on the wall with the cable connection area facing down.
- Note: The aperture is 6.0mm.



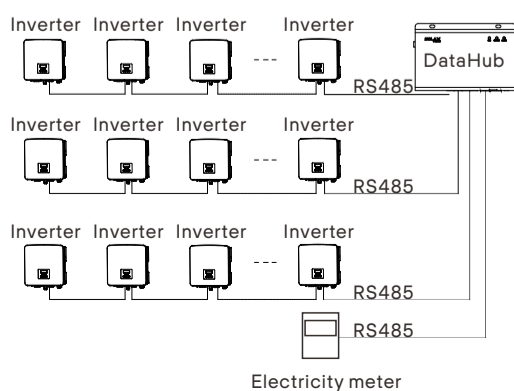
## VI Guide Rail Mounting (Method 2)

1. Use the four M3\*L6 screws in the accessory bag to fix the buckle on the DataHub.
  2. Please prepare 35mm standard rail (effective length ≥230mm) and install it firmly.
- Note: The outdoor installation must be in a waterproof housing.



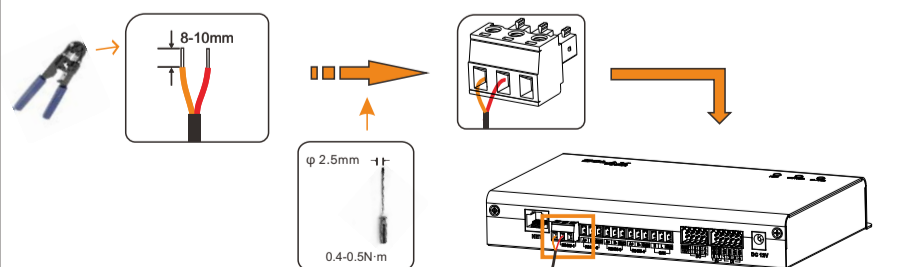
## VII Cascade Connection

1. The inverter is connected to the DataHub through the RS485 daisy chain. For the connection method of the inverter, please refer to the inverter installation manual;
2. It is recommended that the number of devices connected to each channel of RS485 is less than 20;
3. The baud rate, communication protocol and verification method of the inverters connected to the same RS485 port of DataHub must be consistent, and the communication addresses of the inverters must be consecutive and not repeated.

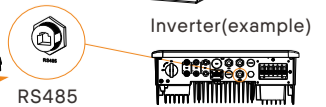


## VIII Installation of the RS485

Make sure that RS485+ is connected to DataHub's RS485+, RS485- is connected to DataHub's RS485-, RS485 GND is connected to the GND of DataHub.

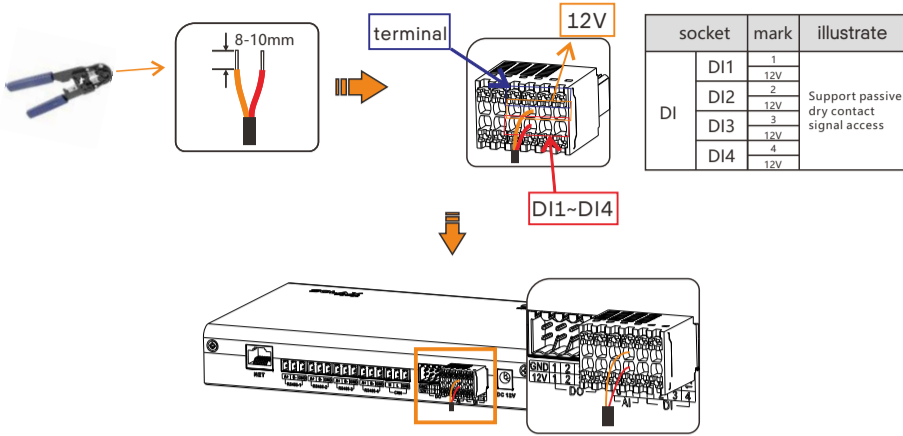


Pocket	Sign	Illustrate
RS485-1	+	RS485A,RS485Differential signal+
RS485-2	-	RS485B,RS485Differential signal-
RS485-3		
RS485-4	GND	Ground wire



## IX Installation of the DI Signal Cable

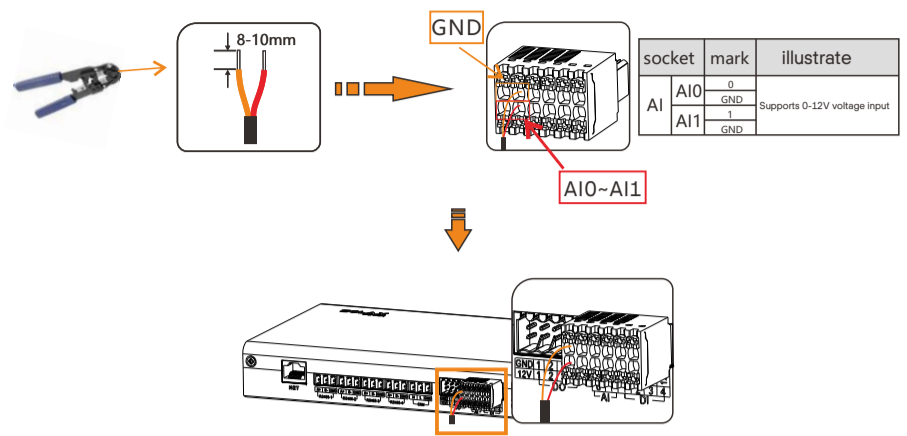
DataHub can access DI signals such as remote control and alarms through the DI port.



## X Installation of the AI Signal Cable

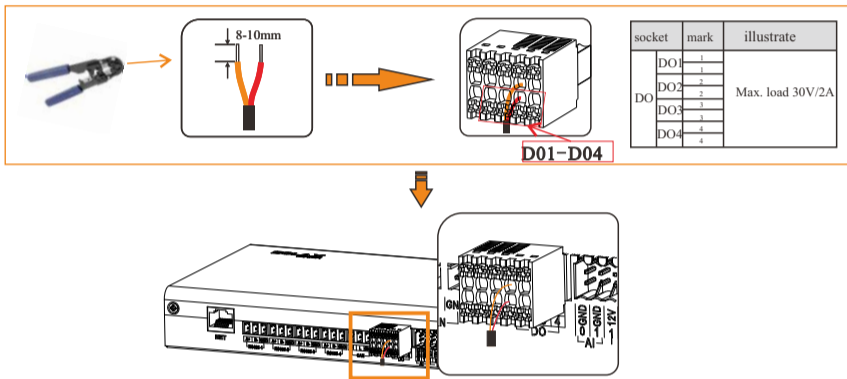
Installation advice :

1. It is recommended that the transmission distance does not exceed 10 m;
2. AI port 0 and AI port 1 are connected to AI signal +, and GND is connected to AI signal-.



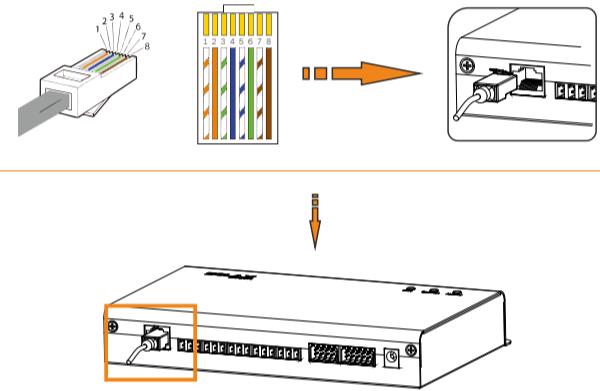
## XI Installation of the DO Signal Cable

The DO port supports 30V signal voltage in maximum. The contact of four-group output is on by default.



## XII Installation of the Network Cable

1. Use Cat 5e or higher specifications and Shielded crystal head connectors to prepare the network cable.
2. The communication distance does not exceed 100 m.
3. When crimping the network cable, ensure that the shielding layer of the network cable is properly connected to the metal shell of the RJ45 connector.



## XIII Checking of the Pre-power

Num	Inspection standards
1	Check whether DataHub has been installed firmly.
2	Check whether the cable is reliably connected.
3	Check whether the cables meet the requirements of strong and weak current cabling plan.
4	Check whether the cables are bundled neatly, and the orientation are the same.
5	Check whether there are excess copper wires and cable ties left on the cables.

## XIV System Power-up

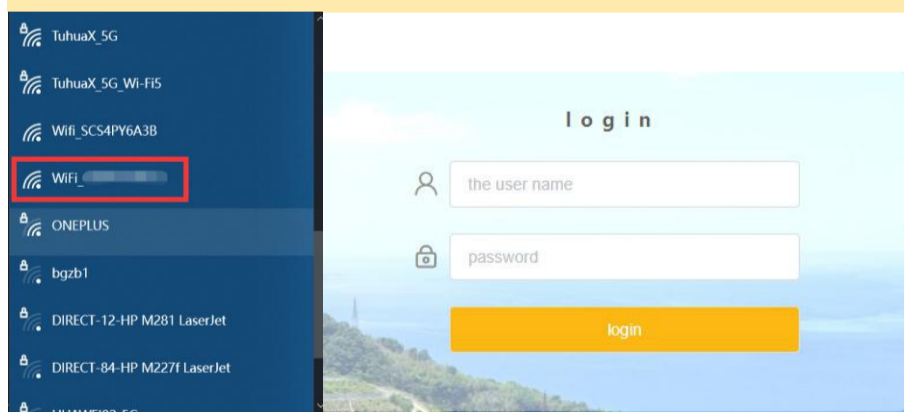
1. Use a power adapter to connect DataHub to a 100~220V power outlet.
2. Observe the LED indicator to see if DataHub is operating normally.

Sign	Status	Illustrate
Run (Green)	Flash	The program runs normally
	Always on or off	The program runs abnormally
Serve (Green)	On	The network connection is normal
	Off	The network connection isn't normal
Alarm (Red)	Off	No alarm
	On	Device alarms

## XV Login

Local login: connect the computer to the DataHub hotspot (WiFi\_XXXXXX), and use the computer to access 192.168.10.10 to enter the login interface.

Administrator account: admin, initial Password: (the same as Registration Number).  
User account: user, initial Password: 123456.  
Visitor account: visitor, initial Password: 123456.



## XVI Safety Instructions

Indicates that the product must not be processed with household waste. It must be brought to an electric and electronic waste collection point for recycling and disposal. By ensuring the appropriate disposal of this product you also help in preventing potentially negative consequences for the environment and human health. The recycling of materials helps preserve our natural resources. For further information regarding the recycling of this product, please contact your municipality, local waste disposal centre or the store where the products was purchased.

This device complies with part 15 of the FCC Rules. Operation is subject to the following two conditions: (1) This device may not cause harmful interference, and (2) this device must accept any interference received, including interference that may cause undesired operation.

FCC warning:  
Any Changes or modifications not expressly approved by the party responsible for compliance could void the user's authority to operate the equipment.

Note: This equipment has been tested and found to comply with the limits for a Class B digital device, pursuant to part 15 of the FCC Rules. These limits are designed to provide reasonable protection against harmful interference in a residential installation. This equipment generates uses and can radiate radio frequency energy and, if not installed and used in accordance with the instructions, may cause harmful interference to radio communications. However, there is no guarantee that interference will not occur in a particular installation. If this equipment does cause harmful interference to radio or television reception, which can be determined by turning the equipment off and on, the user is encouraged to try to correct the interference by one or more of the following measures:

- Reorient or relocate the receiving antenna.
- Increase the separation between the equipment and receiver.
- Connect the equipment into an outlet on a circuit different from that to which the receiver is connected.
- Consult the dealer or an experienced radio/TV technician for help.

This equipment complies with FCC radiation exposure limits set forth for an uncontrolled environment. This equipment should be installed and operated with minimum distance 20cm between the radiator & your body.

## XVII FAQ

DataHub cannot be powered on

1. Check whether the DC output of the power adapter cable is plugged into the 12V power input port of DataHub.
2. Check whether the power adapter cable is plugged into an AC outlet.
3. Check whether the power adapter is damaged.

Unable to communicate

1. Check whether the NET socket of DataHub is properly connected.
2. Check whether network parameters are set correctly.

DataHub cannot find the device

1. Check the connection of the RS485 communication line or AC power line. If there is any looseness, fall off, or reverse connection, reconnect and tighten it.
2. Check the RS485 communication parameters and ensure that the baud rate and communication address are set correctly. The device address is within the search address range set for the DataHub.
3. Check whether the device that does not support automatic recognition, such as electric meters, has been manually added.
4. Check whether the connected device is powered on.

Please contact us if you have any further confusions

SolaX Power Network Technology (Zhejiang) Co., Ltd.  
ADD No.288 shizhu Road, Tonglu Economic Zone,  
Tonglu City, Zhejiang Province, China.  
Tel +86 571 56260011 FAX +86 571 56075753  
EMAIL [service@solaxpower.com](mailto:service@solaxpower.com)  
WEB [www.solaxpower.com](http://www.solaxpower.com)